



**21.5" 4K Wall Monitor for Studio
and OB Van**

OBM-W210

12G/6G/3G-SDI x 2 Input

HDMI® 2.0 Input

SFP Module Input (ST 2022-6, ST 2110 Support)

Panel Resolution 1920x1080

1.064 Billion Colors

400cd/m²



The OBM-W210 incorporate 12G-SDI input and loopout(x2), HDMI® 2.0 input, SFP optical connector, Component and Composite on the panel of full HD resolution. So, the OBM-W210 is ideal for building up a 4K monitor wall in the studio or OB van. The OBM-W210 offers the advanced and convenient features such as HDR(High Dynamic Range), Ethernet Control, Camera Log display, etc.



POSTIUM KOREA Co., Ltd.
www.postium.com



21.5" 4K Professional LCD Monitor **OBM-W210**

Product Highlights

- 12G/6G/3G/HD/SD-SDI 2 Channel
- Dual Link 3G-SDI 2-Sample Interleave
- SFP Module Input (ST 2022-6, ST 2110 Support)
- HDMI® 2.0 Support
- HDR(High Dynamic Range) Display supporting PQ EOTF(ST 2084), Hybrid Log Gamma, S-Log3
- 3D-LUT for Accurate Color Reproduction
- SDR EOTF - BT.1886 (Gamma 2.4)
- 1.064 Billion Colors
- Camera Log Conversion
- Camera Log Mapped SDI Loopout
- Custom 3D LUT File Import Through USB
- Gamma Selection (1.0 ~ 3.0)
- Color Temperature(3200K, 5500K, 6500K, 9300K, USER 1/2/3, DCI-P3)
- Compare Color Settings (Side by Side)
- Waveform, VectorScope (Wave + Vector, Waveform Wide, Position Selection)
- Various Markers (EBU, 4:3, 16:9, 1.85:1, 2.35:1, Variable etc.)
- Internal Patterns Display for Color Test (Black ~ 100% White, Color Bar)
- De-embedded 8~16ch Audio Level Meter
- Time Code Display (Position / Size Selection)
- Remote Control via GPI(RJ-45) Port
- HDR & Camera Log Comparison
- Rack & VESA Mount (Option)
- Monitor Control via Ethernet, RS-422
- Easy Firmware Update by USB
- Focus Assist
- Zebra
- Support 4096x2160 Aspect
- Zero Scan / 1:1 Scan
- H/V Delay
- Gamut Error
- 3 Color TALLY Lamp
- Fast Mode
- Aspect
- Freeze
- Blue/Mono Only
- HDR Waveform
- IMD
- Closed Caption(608, 708)
- System Data Copy
- Key Lock & Password Lock

Parts and Controls



* Functions are subject to change without prior notice for the product quality improvement.



21.5" 4K Professional LCD Monitor OBM-W210

Specifications

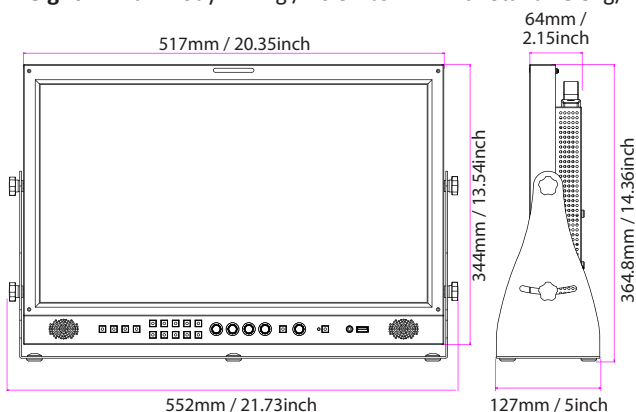
ITEM	OBM-W210	
Input	2 x BNC	12G/6G/3G/HD/SD-SDI-1/2
	1 x HDMI®	HDMI® 2.0
	1 x SFP	SFP
	3 x BNC (YPbPr)	Analog(YPbPr)
	1 x BNC (CVBS)	Composite
Output	2 x BNC	12G/6G/3G/HD/SD-SDI-1/2
Input Signal Format	SMPTE ST 2082	2160p(60/59.94/50)
	SMPTE ST 2081	2160p(30/29.97/25/24/23.98)
	SMPTE ST 425-AB	1080p(60/59.94/50/30/29.97/25/24/23.98/30sF/29.97sF/25sF/24sF/23.98sF) / 1080i (60/59.94/50)
	SMPTE ST 274	1080p(30/29.97/25/24/23.98/24sF/23.98sF)
		1080i (60/59.94/50)
	SMPTE ST 296	720p(60/59.94/50)
	SMPTE ST 260	1920 x 1035i(60/59.94)
	SMPTE ST 2048	2048 x 1080p(24/23.98/24sF/23.98sF)
	SMPTE ST 125	480i(59.94)
	ITU-R BT.656	576i(50)
	HDMI® 2.0	~ 2160p(60)
	SFP	12Gbps, 6Gbps, 2.970Gbps, 1.485Gbps, 270Mbps
Audio In/Out	1 x Phone Jack In	Line In(Stereo)
	1 x Phone Jack Out	H/P Out(Front, Stereo)
	2 x Speaker Out	Stereo
Display	Size	21.5" LCD
	Resolution	1920 x 1080 (16:9)
	Pixel Pitch	0.248mm
	Color	1.064B colors(8bit+2bit FRC)
	Viewing Angle	178(H), 178(V)
	Luminance of White	400cd/m ²
	Contrast	1000 : 1
	Display Area (H x V)	476.064 x 267.786 (mm)
General	1 x Ethernet	Control/Update, RJ-45P Input
	1 x GPIO	GPI-7 Port, RJ-45P Jack
	2 x Serial	RS-422 Jack, RJ-45P Input / Output
	1 x USB	For Firmware Update, Color Calibration
	Power Requirements	AC(100-230V,50/60Hz)/DC12V
	Power Consumption	Max 40W
	Operating Temperature	0 ~ 40°C(32°F~104°F)
	Operating Humidity	20 ~ 80% RH
	Weight	8.5kg/18.73lbs
	Dimensions(with stand)	552 x 364.8 x 127mm
		21.73 x 14.36 x 5inch
	Accessories	Power Cable
Option	Rack Mount Kit / Carrying Case / Sun Hood/ Acrylic Protector / V-Mount	

* Specifications are subject to change without prior notice for the product quality improvement.

Dimensions(mm)

Dimensions --Main Body : 517 x 344 x 64 mm (20.35 x 13.54 x 2.15 inch) --With Stand : 552 x 364.8 x 127 mm (21.73 x 14.36 x 5 inch)

Weight --Main Body : 7.4kg / 16.31lbs --With Stand : 8.5kg/ 18.73lbs



* Specifications are subject to change without prior notice for the product quality improvement.