

**2000
cd/m²**

**12" Field
Monitor**

**HDR
SUPER BRIGHT**



Extreme Super Bright Screen OBM-H120

The Postium OBM-H Series are designed for daylight monitoring in HD/SD broadcast and motion picture production monitoring applications. The OBM-H120 utilizes a 12.1" 1280x800 resolution LCD with a maximum luminance output of 2000 cd/m².

The OBM-H Series accepts up to 1080 60P signals scaled to native resolution and is equipped with standard 3G/HD-SDI input interfaces (x2) as well as an HDMI® 1.3a input and analog component/composite I/O. Closed Captioning decode and display for CEA-708(HD-SDI closed captioning standard) and CEA-608(SD-SDI closed captioning standard) is supported via SDI input.

*3G-SDI x 2 Input & Active Loopout
HDMI® / Analog / DVI Input
3D-LUT for Accurate Color Reproduction
HD HDR Support
Color Depth 1.064 Billion Colors*

*Waveform & Vector Scope
IMD / 16ch Audio Level Meter
System Data Copy & Load
Remote Control via GPI and Network
Panel Resolution 1280 x 800(12")*



POSTIUM KOREA Co., Ltd.
www.postium.com

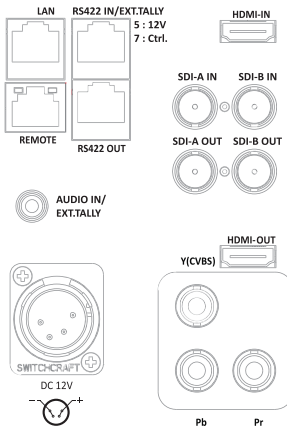
Extreme Super Bright Screen **OBM-H120**

Specifications

ITEM	OBM-H120	
Input	BNC (SDI)	2 x 3G/HD/SD-SDI
	HDMI®	1 x HDMI® 1.4a
	BNC (YPbPr)	3 x Analog(YPbPr)
	BNC (CVBS)	1 x Composite
Output	BNC (SDI)	2 x 3G/HD/SD-SDI
	HDMI®	1 x HDMI® 1.4a
Input Signal Format	SMPTE ST 425-AB	1080p(60/59.94/50/30/29.97/25/24/23.98/30sF/29.97sF/25sF/24sF/23.98sF) / 1080i (60/59.94/50)
	SMPTE ST 274	1080p(30/29.97/25/24/23.98/24sF/23.98sF) 1080i (60/59.94/50)
	SMPTE ST 296	720p(60/59.94/50)
	SMPTE ST 260	1920 x 1035i(60/59.94)
	SMPTE ST 2048	2048 x 1080p(24/23.98/24sF/23.98sF)
	SMPTE ST 125	480i(59.94)
	ITU-R BT.656	576i(50)
	HDMI®	~ 1080p(60)
Audio In/Out	1 x Phone Jack In	Line In(Stereo)
	1 x Phone Jack Out	H/P Out(Front, Stereo)
	2 x Speaker Out	Stereo
Display	Size	12.1"
	Resolution	1280 x 800
	Pixel Pitch	0.204mm
	Color	16.7M colors(6bit+2bit FRC)
	Viewing Angle	178(H), 178(V)
	Luminance of White	2000cd/m ²
	Contrast	1000 : 1
	Display Area (H x V)	261.12x 163.2 (mm)
General	1 x Ethernet	Control/Update, RJ-45P Input / Output
	1 x GPIO	GPI-7 Port, RJ-45P Jack
	2 x Serial	RS-422 Jack, RJ-45P Input / Output
	1 x USB	For Frmware Update, Color Calibration
	Power Requirements	DC12V
	Power Consumption	Max 39W
	Operating Temperature	0 ~ 40°C(32°F~104°F)
	Operating Humidity	20 ~ 80% RH
	Weight	Main Body : 2.2KG(4.85lb)/With Stand : 3.2KG(7.05lb)
	Dimensions(main body)	304.5X 237.5 X 42 mm/11.98 x 9.33 x 1.65inch
	Dimensions(With Stand)	348.4 x 249.5 x 110mm/13.70 x 9.82 x 4.33inch
	Accessories	Power Cable
	Option	Rack Mount Kit / Carrying Case / Sun Hood / Acrylic Protector / V-Mount

* Specifications are subject to change without prior notice for the product quality improvement.

Rear Panel

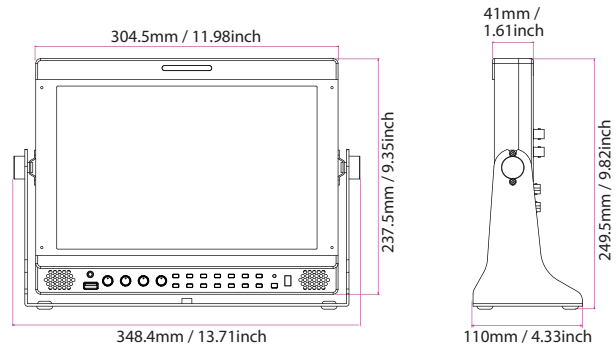


Dimensions

--Main Body : 304.5 x 237.5 x 41 mm (11.98 x 9.35 x 1.61 inch)
--With Stand : 348.4 x 249.5 x 110 mm (13.71 x 9.82 x 4.33 inch)

Weight

--Main Body : 2.4kg / 5.29lbs --With Stand : 3.2kg / 7.05lbs



® Postium Korea

Web: www.postium.com
E-mail: sales@postium.com
Tel: +82-2-354-6055