

**HD HDR**

**55" Outstanding Picture Quality**

**OBM - N550**

*3G-SDI x 2 Input*

*1.064 Billion Colors*

*3D-LUT for Accurate Color Reproduction*

*Camera Log Conversion*

*Custom 3D LUT File Import*

*Panel Resolution 1920x1080*



The OBM-N550 offers the superior picture quality and wide viewing angle, and includes an array of professional features and the advanced audio & video signal analysis functions including Waveform, Vector Scope, Audio Level Meter, IMD, Camera Log Slection, Custom 3D LUT Import, Focus Assist, etc. The OBM N series are equipped with various I/O interfaces such as 3G-SDI, HDMI®, Component, Composite, DVI.



**POSTIUM KOREA** Co., Ltd.  
[www.postium.com](http://www.postium.com)

## Product Highlights

- 3G/HD/SD-SDI 2 Channel
- HDR(High Dynamic Range) Display supporting PQ EOTF(ST 2084), Hybrid Log Gamma, S-Log3
- 3D-LUT for Accurate Color Reproduction
- SDR EOTF - BT.1886 (Gamma 2.4)
- 1.064 Billion Colors
- Camera Log Conversion
- Camera Log Mapped SDI Loopout
- Custom 3D LUT File Import Through USB
- Gamma Selection (1.0 ~ 3.0)
- Color Temperature(3200K, 5500K, 6500K, 9300K, USER 1/2/3, D-CINEMA)
- Compare Color Settings (Side by Side)
- Waveform, VectorScope  
(Wave + Vector, Waveform Wide, Position Change, Size Adjustment)
- Monitor Control via Ethernet, RS-422
- Various Markers (EBU, 4:3, 16:9, 1.85:1, 2.35:1, Variable etc.)
- Internal Patterns Display for Color Test (Black ~ 100% White, Color Bar)
- Time Code Display (Position / Size Selection)
- Easy Firmware Update by USB
- HDR & Camera Log Comparison
- Fast Mode
- Focus Assist
- HDR Waveform
- Zero Scan / 1:1 Scan
- H/V Delay
- Blue/Mono Only
- IMD
- De-embedded 8~16ch Audio Level Meter
- Remote Control via GPI(RJ-45) Port
- Gamut Error
- False Color(Zebra, Color Pattern, ARRI)
- 3 Color TALLY Lamp
- Rack & VESA Mount (Option)
- Closed Caption(608, 708)
- System Data Copy
- Key Lock & Password Lock
- Aspect
- Freeze

## Parts and Controls



\* Functions are subject to change without prior notice for the product quality improvement.

## Specifications

ITEM	OBM-N550	
Input	BNC (SDI)	2 x 3G/HD/SD-SDI-1/2
	HDMI®	1 x HDMI® 1.3a
	BNC (YPbPr)	3 x Analog(YPbPr)
	BNC (CVBS)	1 x Composite
	DVI	1 x DVI-D
Output	BNC (SDI)	2 x 3G/HD/SD-SDI-1/2
Input Signal Format	SMPTE ST 425-AB	1080p(60/59.94/50/30/29.97/25/24/23.98/30sF 29.97sF/25sF/24sF/23.98sF) / 1080i (60/59.94/50)
	SMPTE ST 274	1080p(30/29.97/25/24/23.98/24sF/23.98sF) 1080i (60/59.94/50)
	SMPTE ST 296	720p(60/59.94/50)
	SMPTE ST 260	1920 x 1035i(60/59.94)
	SMPTE ST 2048	2048 x 1080p(24/23.98/24sF/23.98sF)
	SMPTE ST 125	480i(59.94)
	ITU-R BT.656	576i(50)
	HDMI®	1080p(60)
Audio In/Out	DVI-D	VESA/IBM Modes
	1 x Phone Jack In	Line In(Stereo)
	1 x Phone Jack Out	H/P Out(Front, Stereo)
Display	2 x Speaker Out	Stereo
	Size	54.6" LCD
	Resolution	1920 x 1080 (16:9)
	Pixel Pitch	0.630mm
	Color	1.064B colors(8bit+2bit FRC)
	Viewing Angle	178(H), 178(V)
	Luminance of White	700cd/m <sup>2</sup>
	Contrast	4000 : 1
General	Active Area (H x V)	1209.6 x 680.4 (mm)
	1 x Ethernet	Control/Update, RJ-45 Input
	1 x GPIO	GPI-7 Port, RJ-45P Jack
	2 x Serial	RS-422 Jack, RJ-45P Input / Output
	1 x USB	For Firmware Update, Color Calibration
	Power Requirements	AC(100-230V,50/60Hz)
	Power Consumption	Max 283W
	Operating Temperature	0 ~ 40°C(32°F~104°F)
	Operating Humidity	20 ~ 80% RH
	Weight	37kg/81.57lbs
	Dimensions	1265.5 x 794.7 x 240mm / 49.8 x 31.25 x 9.44inch
	Accessories	Power Cable
	Option	Wall Bracket

\* Specifications are subject to change without prior notice for the product quality improvement.

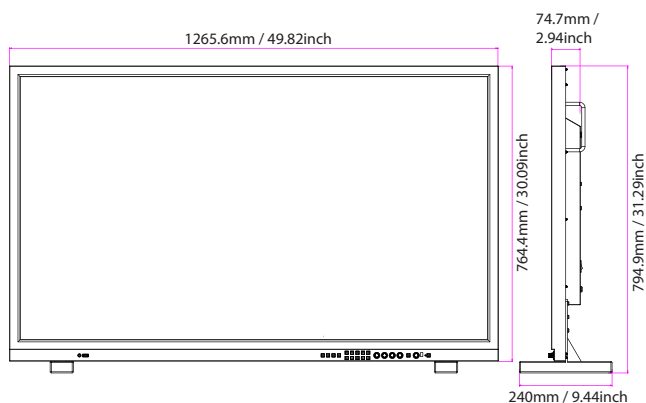
## Dimensions(mm)

### Dimensions

- Main Body : 1265.5 x 734.4 x 72.5 mm  
(49.82 x 28.91 x 2.85 inch)
- With Stand : 1265.5 x 794.7 x 240 mm  
(49.82 x 31.28 x 9.24 inch)

### Weight

- Main Body : 34.8kg / 76.72lbs
- With Stand : 37kg / 81.57lbs



\* Specifications are subject to change without prior notice for the product quality improvement.