

HD HDR

**18.5" Full HD
LCD Monitor with Professional Feature set**

OBM-L180

3G-SDI x 1 Input / 1 Output / HDMI® x 1 Input

1.064 Billion Colors

3D-LUT for Accurate Color Reproduction

Camera Log Conversion

Custom 3D LUT File Import

6RU Height

Panel Resolution 1920x1080



The OBM-L180 features the 18.5" LCD panel with 1920x1080 Full HD resolution, 1.064 Billion Colors wide viewing angle, and high contrast ratio.

The OBM-L180 offers the professional performance, including accurate color reproduction through 3D LUT, HD HDR, integrated camera log of various camera manufacturers, custom 3D LUT import, Waveform, Vector Scope, Audio Level Meter, and many other advanced video analysis functions.

The OBM-L180 is ideal for the high-end broadcast and film applications which require the very high picture quality.



POSTIUM KOREA Co., Ltd.
www.postium.com

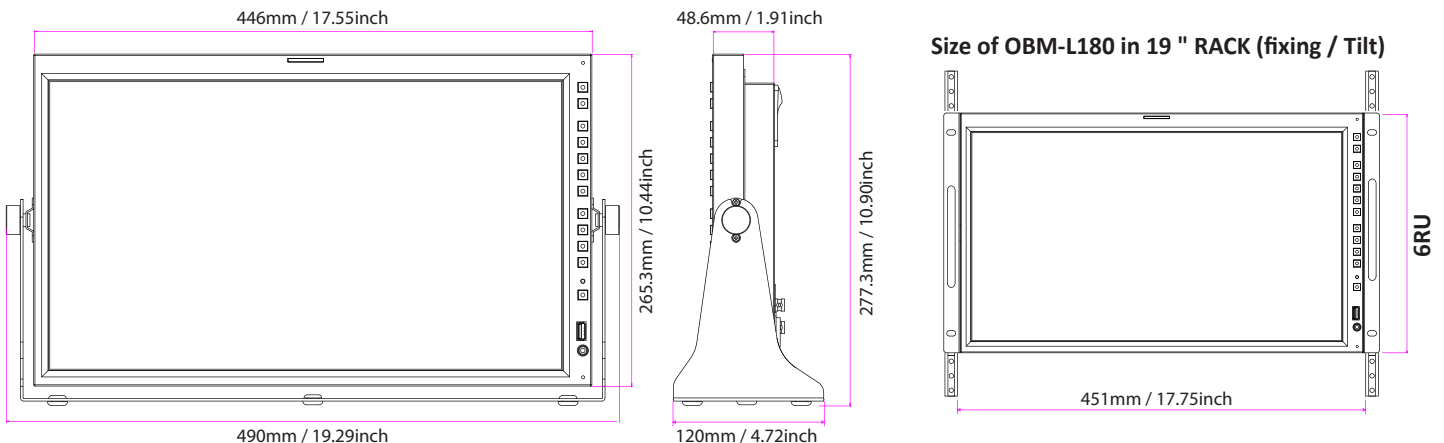
Product Highlights

- 18.5" Full HD Resolution (1920 x 1080)
- 3G/HD/SD-SDI 1,(Input/Output)
- HD HDR(High Dynamic Range) Display
- 3D-LUT for Accurate Color Reproduction
- 1.064 Billion Colors
- Custom 3D LUT File Import Through USB
- Gamma Selection (1.0 ~ 3.0)
- Color Temperature(3200K, 5500K, 6500K, 9300K, USER 1/2/3, DCI-P3)
- Camera Log Conversion
- Camera Log Mapped SDI Loopout
- HDR & Camera Log Comparison (Side by Side)
- Waveform, VectorScope (Wave + Vector, Waveform Wide, RGB Parade, Position Change, Size Adjustment)
- Monitor Control via Ethernet, RS-422
- Various Markers (EBU, 4:3, 16:9, 1.85:1, 2.35:1, Custom etc.)
- Internal Patterns Display for Color Test (Black ~ 100% White, Color Bar)
- Time Code Display (Position / Size Selection)
- Easy Firmware Update by USB
- Focus Assist
- HDR Waveform
- Zero Scan / Over Scan
- H/V Delay
- Blue/Mono Only
- IMD
- De-embedded 8~16ch Audio Level Meter
- Remote Control via GPI(RJ-45) Port
- Gamut Error
- False Color(Zebra, ARRI, Variable)
- False Color Comparison (Wipe Position)
- 3 Color TALLY Lamp
- Rack & VESA Mount (Option)
- Closed Caption(608, 708)
- System Data Copy
- Aspect
- Freeze
- SDI Payload ID Display
- User Preset Setting Save & Load
- Fast Mode
- Key Lock & Password Lock

Dimensions(mm)

--Main Body : 446 x 265.3 x 48.6 mm (17.55 x 10.44 x 1.91 inch) --With Stand : 490 x 277 x 120 mm (19.29 x 10.90 x 4.72 inch)

Weight Main Body : 3.84kg / 8.46lbs --With Stand : 5.04kg/11.11lbs



Specifications

ITEM		OBM-L180	
Input	1x BNC	3G/HD/SD-SDI	
	1 x HDMI	HDMI 1.3a	
Output	1 x BNC	3G/HD/SD-SDI	
Input Signal Format	SMPTE ST 425-AB	1080p(60/59.94/50/30/29.97/25/24/23.98/30sF 29.97sF/25sF/24sF/23.98sF) / 1080i (60/59.94/50)	
	SMPTE ST 274	1080p(30/29.97/25/24/23.98/24sF/23.98sF)	
	SMPTE ST 296	1080i (60/59.94/50)	
	SMPTE ST 260	720p(60/59.94/50)	
	SMPTE ST 2048	1920 x 1035i(60/59.94)	
	SMPTE ST 125	2048 x 1080p(24/23.98/24sF/23.98sF)	
	ITU-R BT.656	480i(59.94)	
	HDMI	576i(50)	
Audio In/Out	1 x Phone Jack In	~ 1080p(60)	
	1 x Phone Jack Out	Line In(Stereo)	
Display	Size	H/P Out(Front, Stereo)	
	Resolution	18.5" LCD	
	Pixel Pitch	1920 x 1080 (16:9)	
	Color	0.213mm	
	Viewing Angle	1.064B colors(8bit+2bit FRC)	
	Luminance of White	178(H), 178(V)	
	Contrast	350cd/m ²	
	Display Area (H x V)	1000 : 1	
General	1 x GPIO	408.96 x 230.04 (mm)	
	2 x Serial	GPI-7 Port, RJ-45P Jack	
	1 x USB	RS-422 Jack, RJ-45P Input / Output	
	Power Requirements	For Firmware Update, Color Calibration	
	Power Consumption	DC 12V	
	Operating Temperature	Max 40W	
	Operating Humidity	0 ~ 40°C(32°F~104°F)	
	Weight	20 ~ 80% RH	
	Dimensions	Weight	Main Body : 3.84kg / 8.46lbs With Stand : 5.04kg/11.11lbs
		Dimensions	Main Body : 446 x 265.3 x 48.6 mm (17.55 x 10.44 x 1.61 inch) With Stand : 490 x 277 x 120 mm (19.29 x 10.91 x 4.72 inch)
Accessories	Power Adapter, Power Cable		
Option	Rack Mount Kit / Carrying Case / Sun Hood Acrylic Protector / V-Mount		

* Specifications are subject to change without prior notice for the product quality improvement.

Parts and Controls



* Specifications are subject to change without prior notice for the product quality improvement.